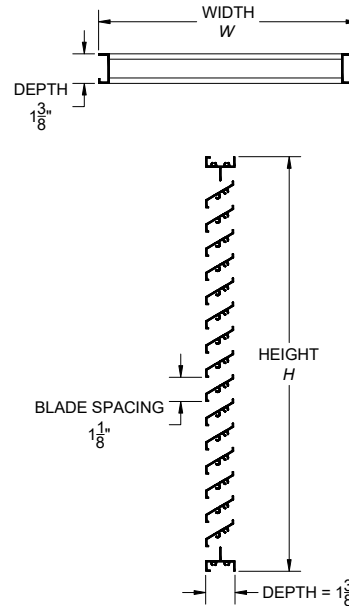
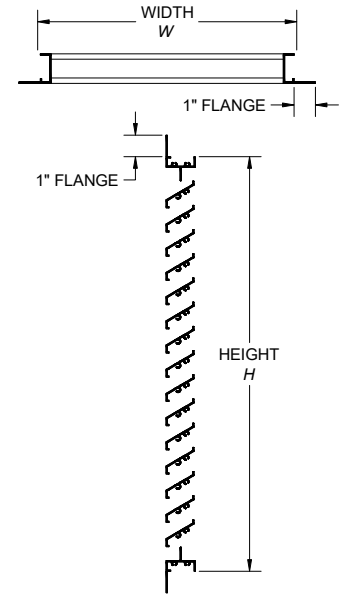




**MODEL: 2110**  
**FRAME: CHANNEL FRAME**  
**DUCT-MOUNT (DM)**



**MODEL: 2115**  
**FRAME: FLANGE FRAME**  
**FLANGE-MOUNT (FM)**



PERFORMANCE			
LOUVER UNIT SIZE	TOTAL AREA	FREE AREA	FREE AREA
48" x 48"	16 ft <sup>2</sup>	7.70 ft <sup>2</sup>	<b>48.1%</b>
(1219 x 1219 mm)	(1.49 m <sup>2</sup> )	(0.72 m <sup>2</sup> )	

STANDARD CONSTRUCTION	
DEPTH:	1.375" (35 mm)
MATERIAL:	EXTRUDED ALUMINUM - 6063-T5 ALLOY
FRAME THICKNESS:	0.063" (1.60 mm)
BLADE THICKNESS:	0.063" (1.60 mm)
BLADE ANGLE:	30°
BLADE CENTRES:	1.125" (29 mm)
BIRDSCREEN:	19 GA. GALVANIZED BIRDSCREEN - 1/2" x 1/2" OPENINGS
FINISH:	MILL

SIZE LIMITATIONS: SINGLE SECTION LOUVER		
	MINIMUM	MAXIMUM
WIDTH	6" (152.4 mm)	60" (1524 mm)
HEIGHT	4" (101.6 mm)	60" (1524 mm)
AREA	0.16 ft <sup>2</sup> (0.01 m <sup>2</sup> )	25 ft <sup>2</sup> (2.32 m <sup>2</sup> )

\*LOUVER WILL BE MANUFACTURED 1/4" (6.4 mm) SMALLER (SINGLE SECTION) AND 1/2" (12.7 mm) SMALLER (MULTIPLE SECTION) THAN GIVEN OPENING DIMENSIONS UNLESS OTHERWISE SPECIFIED

AVAILABLE ACCESSORIES		
<b>FINISH:</b> <ul style="list-style-type: none"> <li>BAKED ENAMEL FINISH</li> <li>DURANAR FINISH</li> <li>ANODIZED FINISH                             <ul style="list-style-type: none"> <li>CLEAR ANODIZED</li> <li>LIGHT BRONZE</li> <li>MEDIUM BRONZE</li> <li>DARK BRONZE</li> <li>BLACK ANODIZED</li> </ul> </li> <li>EXTENDED SILLS</li> <li>SECURITY BARS</li> <li>FILTER RACKS</li> <li>STAINLESS STEEL FASTENERS</li> <li>HINGED ACCESS DOORS</li> <li>ALL WELDED CONSTRUCTION</li> <li>CUSTOM GEOMETRIC SHAPES</li> <li>CONTINUOUS LINE CONSTRUCTION IS NOT AVAILABLE*</li> </ul>	<b>SCREENS:</b> <ul style="list-style-type: none"> <li>BIRDSCREEN                             <ul style="list-style-type: none"> <li>1/2" x 1/2" INTER CRIMPED ALUMINUM</li> <li>ALUMINUM BIRDSCREEN WITH FRAME</li> </ul> </li> <li>INSECT SCREEN                             <ul style="list-style-type: none"> <li>18 x 14 MESH</li> </ul> </li> </ul>	<b>BLANK-OFF PANELS (ALUMINUM): VARIOUS GAUGES</b> <ul style="list-style-type: none"> <li>NON-INSULATED BLANK-OFF PANELS</li> <li>INSULATED BLANK-OFF PANELS                             <ul style="list-style-type: none"> <li>1" (25.4 mm) INSULATION</li> <li>2" (50.8 mm) INSULATION</li> </ul> </li> </ul>



**2110 / 2115**  
**1 3/8" DEEP THINLINE LOUVER**

**FREE AREA (Sq. Ft.)**

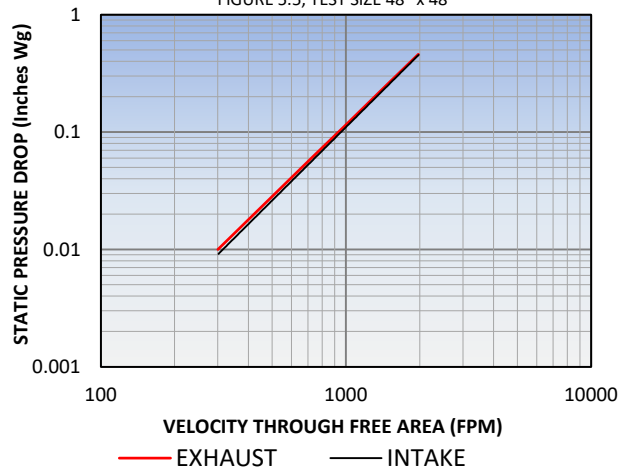
		WIDTH (INCHES)														
		6	8	12	16	20	24	28	32	36	40	44	48	52	56	60
HEIGHT (INCHES)	4	0.03	0.04	0.06	0.08	0.10	0.12	0.14	0.16	0.18	0.20	0.22	.024	.026	0.28	0.30
	6	0.06	0.08	0.13	0.18	0.22	0.27	0.32	0.36	0.41	0.46	0.5	0.55	0.60	0.64	0.69
	8	0.09	0.15	0.23	0.31	0.40	0.48	0.56	0.65	0.73	0.81	0.90	0.98	1.06	1.15	1.23
	12	0.16	0.24	0.38	0.52	0.66	0.80	0.94	1.08	1.22	1.36	1.50	1.64	1.78	1.92	2.06
	16	0.23	0.34	0.54	0.73	0.93	1.12	1.32	1.51	1.71	1.91	2.10	2.30	2.49	2.69	2.88
	20	0.31	0.45	0.70	0.96	1.21	1.47	1.72	1.98	2.23	2.49	2.74	3.00	3.25	3.51	3.76
	24	0.37	0.54	0.86	1.17	1.48	1.79	2.10	2.41	2.72	3.03	3.35	3.66	3.97	4.28	4.59
	28	0.44	0.65	1.02	1.39	1.77	2.14	2.51	2.88	3.25	3.63	4.00	4.37	4.74	5.11	5.48
	32	0.51	0.75	1.17	1.60	2.03	2.45	2.88	3.31	3.74	4.16	4.59	5.02	5.44	5.87	6.30
	36	0.58	0.85	1.34	1.83	2.32	2.80	3.29	3.78	4.27	4.75	5.24	5.73	6.22	6.70	7.19
	40	0.65	0.95	1.49	2.04	2.58	3.12	3.66	4.21	4.75	5.29	5.83	6.38	6.92	7.46	8.01
	44	0.72	1.06	1.66	2.26	2.87	3.47	4.07	4.68	5.28	5.88	6.49	7.09	7.69	8.30	8.90
	48	0.78	1.15	1.80	2.46	3.11	3.77	4.42	5.08	5.73	6.39	7.04	7.70	8.35	9.01	9.66
52	0.86	1.24	1.96	2.67	3.38	4.09	4.80	5.51	6.22	6.93	7.64	8.35	9.06	9.78	10.49	
56	0.93	1.35	2.12	2.89	3.66	4.43	5.20	5.97	6.74	7.52	8.29	9.06	9.83	10.60	11.37	
60	0.99	1.45	2.27	3.10	3.93	4.75	5.58	6.41	7.23	8.06	8.89	9.71	10.54	11.37	12.19	

**FREE AREA (%)**

		WIDTH (INCHES)														
		6	8	12	16	20	24	28	32	36	40	44	48	52	56	60
HEIGHT (INCHES)	4	15.3%	16.0%	16.8%	17.2%	17.4%	17.6%	17.8%	17.8%	17.8%	17.9%	17.9%	17.9%	18.0%	18.0%	18.0%
	6	23.3%	24.5%	25.7%	26.3%	26.6%	26.8%	27.0%	27.1%	27.2%	27.3%	27.4%	27.4%	27.5%	27.5%	27.5%
	8	28.0%	32.8%	34.4%	35.2%	35.6%	36.0%	36.2%	36.4%	36.5%	36.6%	36.7%	36.7%	36.8%	36.9%	36.9%
	12	32.3%	36.6%	38.4%	39.2%	39.7%	40.1%	40.3%	40.5%	40.7%	40.8%	40.9%	41.0%	41.0%	41.1%	41.1%
	16	35.0%	38.5%	40.3%	41.2%	41.8%	42.1%	42.4%	42.6%	42.7%	42.9%	43.0%	43.0%	43.1%	43.2%	43.2%
	20	36.9%	40.2%	42.1%	43.1%	43.6%	44.0%	44.3%	44.5%	44.7%	44.8%	44.9%	45.0%	45.1%	45.1%	45.2%
	24	37.0%	40.8%	42.8%	43.8%	44.3%	44.7%	45.0%	45.2%	45.4%	45.5%	45.6%	45.7%	45.8%	45.8%	45.9%
	28	38.0%	41.8%	43.8%	44.8%	45.4%	45.8%	46.1%	46.3%	46.5%	46.6%	46.7%	46.8%	46.9%	46.9%	47.0%
	32	38.4%	42.0%	44.0%	45.0%	45.6%	46.0%	46.3%	46.5%	46.7%	46.8%	46.9%	47.0%	47.1%	47.2%	47.2%
	36	38.6%	42.7%	44.7%	45.7%	46.3%	46.7%	47.0%	47.2%	47.4%	47.5%	47.7%	47.7%	47.8%	47.9%	47.9%
	40	38.9%	42.7%	44.8%	45.8%	46.4%	46.8%	47.1%	47.3%	47.5%	47.6%	47.7%	47.8%	47.9%	48.0%	48.0%
	44	39.0%	43.2%	45.3%	46.3%	46.9%	47.3%	47.6%	47.8%	48.0%	48.1%	48.2%	48.3%	48.4%	48.5%	48.5%
	48	39.2%	43.0%	45.0%	46.1%	46.7%	47.1%	47.4%	47.6%	47.8%	47.9%	48.0%	48.1%	48.2%	48.2%	48.3%
52	39.5%	43.1%	45.1%	46.1%	46.8%	47.2%	47.5%	47.7%	47.9%	48.0%	48.1%	48.2%	48.3%	48.3%	48.4%	
56	39.8%	43.4%	45.4%	46.5%	47.1%	47.5%	47.8%	48.0%	48.2%	48.3%	48.4%	48.5%	48.6%	48.7%	48.7%	
60	39.8%	43.4%	45.5%	46.5%	47.1%	47.5%	47.8%	48.1%	48.2%	48.4%	48.5%	48.6%	48.7%	48.7%	48.8%	

**PRESSURE DROP- 2110/ 2115**

FIGURE 5.5, TEST SIZE 48" x 48"



\*TEST RESULTS DO NOT INCLUDE THE EFFECTS OF BIRDSCREEN

**RECOMMENDED SPECIFICATION**

Furnish and install stationary louver models 2110 / 2115 as manufactured by Ventex Inc, Alliston, Ontario. Louvers shall be 1.375" (35 mm) deep. Blades shall be 0.063" (1.60 mm) extruded 6063-T5 aluminum alloy and frame shall be 0.063" (1.60 mm) extruded 6063-T5 aluminum alloy. Louvers shall have 19 gauge galvanized 1/2" x 1/2" birdscreen. All materials shall be factory finished after assembly with Polyester Powder Coat in a color selected from the Ventex Color Chart.